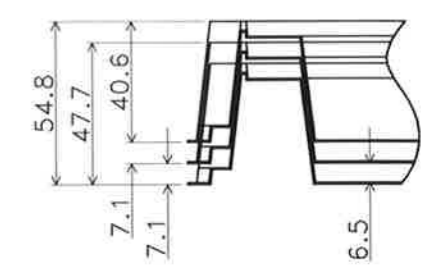
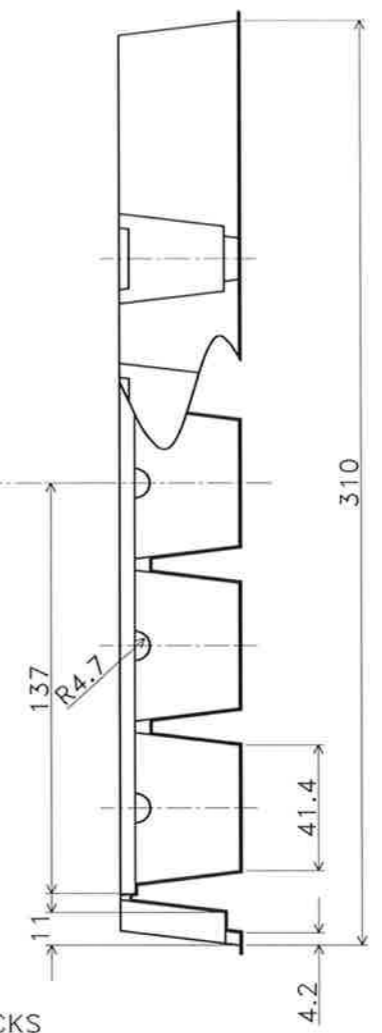
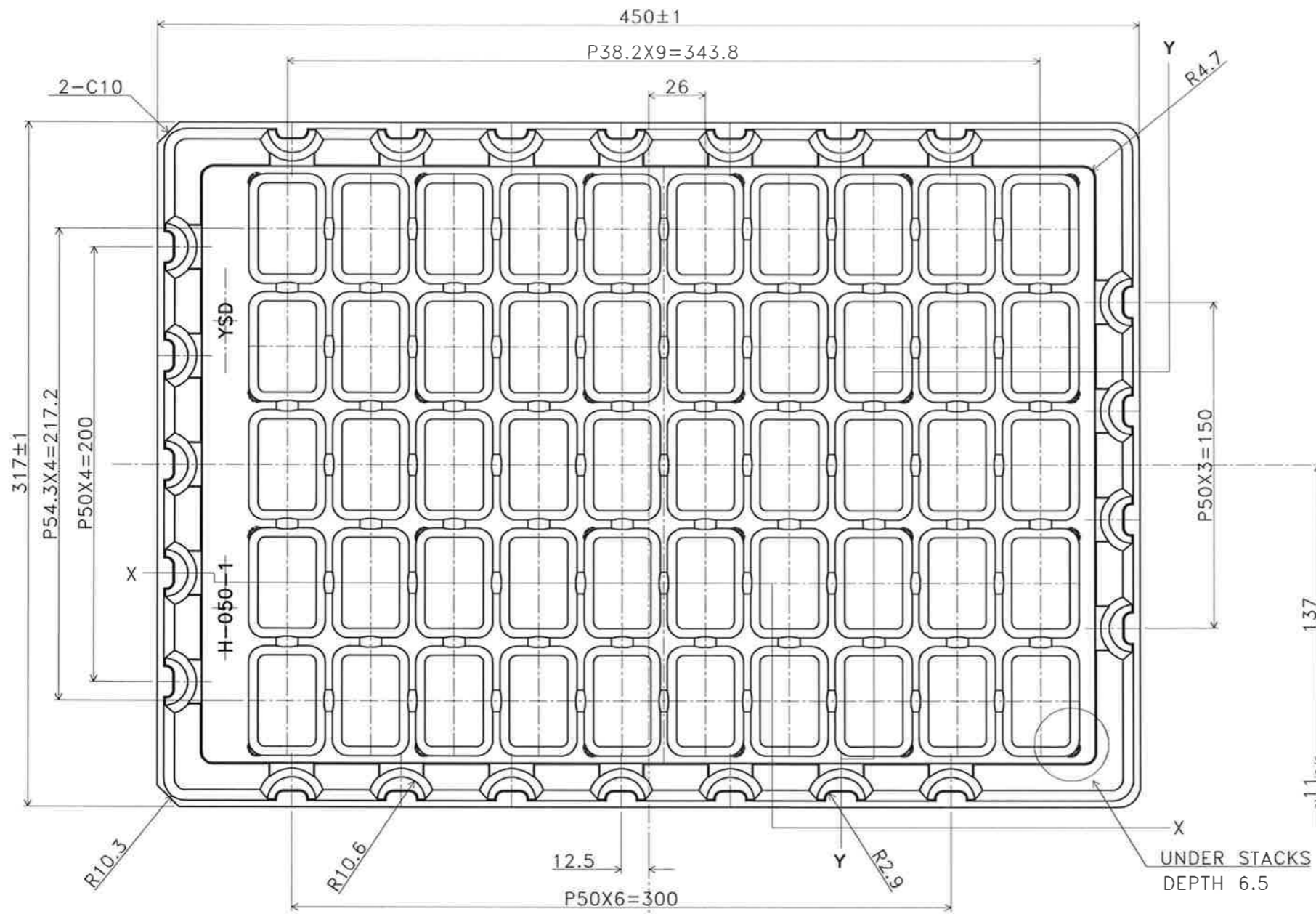
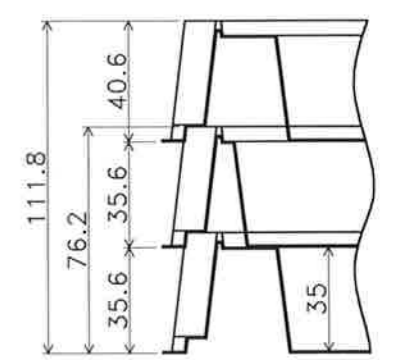


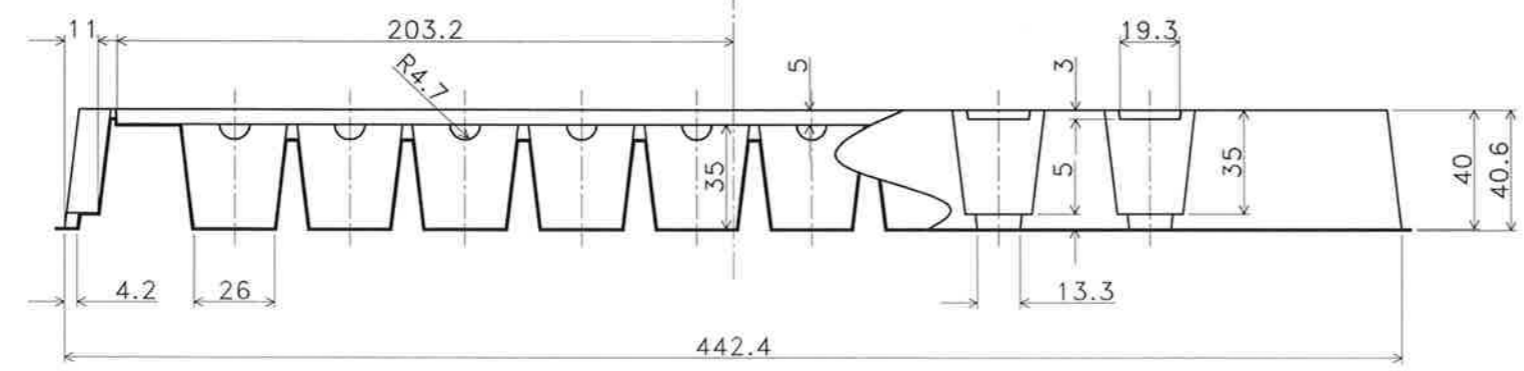
USED DN  
--



同方向積層時  
UNDER STACKS  
DEPTH 6.5



180° 反転積層時



SECTION "X-X"

- NOTES  
 1.GENERAL TOLERANCE,±0.5  
 2.MATERIAL,PS0.6†(COLOR,NATURAL) ANTI-STATIC  
 3.DRAFT ANGLE,7° MAX, TYP.

|       |                              |             |  |            |
|-------|------------------------------|-------------|--|------------|
| DWN   | T. SUZUKI                    | 20 MAR 2012 | MATERIAL                                   | HEAT TREAT |
| CHK   | Jr. YOSHIDA                  | 20 MAR 2012 | YOSHIDA PACKAGE CO.,LTD<br>KAWASAKI, JAPAN |            |
| APVD  | Jr. YOSHIDA                  | 20 MAR 2012 |  |            |
| NAME  | TRAY FOR 50 POCKET (41.4X26) |             |  |            |
| SCALE | SIZE                         | DRAWING NO  | SHEET                                      | REV        |
|       | A3                           | H-050-1     | 1 OF 1                                     | 0          |

LDC  
DIST